

Three Phase Squirrel Cage Induction Motor

Motor Type: TA3-801-4 B14

Electrical Data

RATED VALUES						STARTING VALUES				BREAKDOWN	EFFICIENCY			EFFICIENCY CLASS	
VOLTAGE V	POWER kW Hz		SPEED rpm	CURRENT A	TORQUE Nm	Cos Φ	CURRENT I_A / I_N		TORQUE M_A / M_N		TORQUE Mk/ Mn Nm	%			IEC 60034-30-1
	4/4	Y	D	Y	D	Y	D	Y	D	4/4	3/4	2/4	IE		
230/400	0,55	50	1428	2,4/1,4	3,7	0,69	6,0	-	3,0	-	3,4	IE3-80,8%	80,7%	78,7%	IE3
265/460	0,55	60	1740	2,3/1,3	3,0	0,65	5,0	-	2,1	-	3,3	IE3-81,1%	81,4	79,7	IE3

Mechanical Data

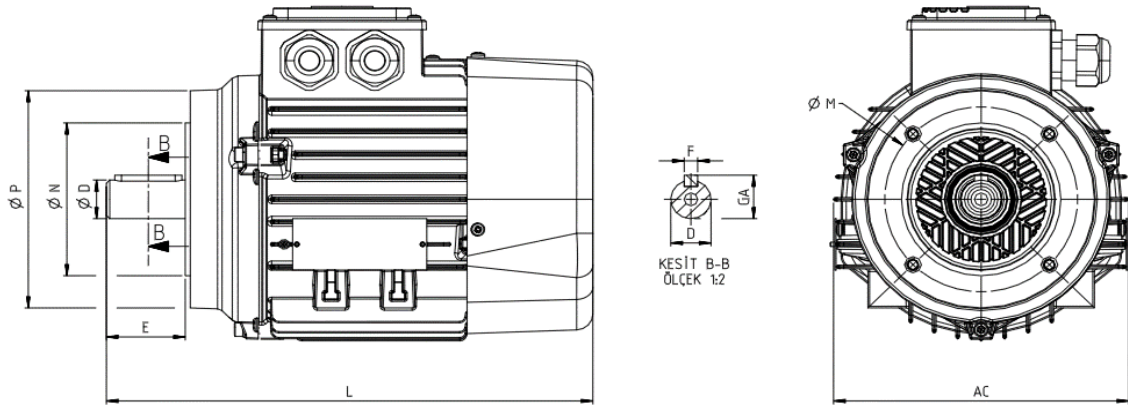
Bearing DE	6204-ZZ	Color	RAL 7030
Bearing NDE	6204-ZZ	Motor protection	No
Lubricants	Shell Gadus S2 V100Q 2	Method of cooling	IC 411
Condensation drain hole	No	Terminal box position	Top
External earthing terminal	Yes	Material of terminal box	Aluminium
Vibration class	A	Terminal plate thread	M4
Insulation class	F	Cable gland	1xM25
Duty type	S1	Clamping range	13-18 mm
Direction of rotation	Clockwise	Mounting type	IM 3601 (B14-A)
Housing material	Aluminium		
Type of balancing	Half Key		

Environmental Data

Others

Ambient temperature	-20 / + 40 °C	Type of protection	IP 56
Altitude above sea level	1000 m	Sound pressure level	dBA 51,9
		Moment of inertia (kg.m ²)	0,0021572
		Standard	IEC 60034-1
		Weight (kg)	8,5

Dimensions



Main Dimensions		Foot Mounted Motors					Shaft				Flange Mounted Motors				
AC	L	B	A	H	HD	K	C	D	E	GA	F	P	N	M	R
156	255,7	-	-	-	-	-	-	19	40	21,5	6	117	80	100	-